

## 3mL Sample Cup, Polystyrene (PS)

Item# 110913



### Description

These Globe Scientific sample cups are designed for use on the Tosoh® 360 analyzer. They are made to exact specifications and provide excellent optical clarity.

### Features

- 3mL capacity
- Excellent clarity

### Technical Specifications

Autoclavable: No

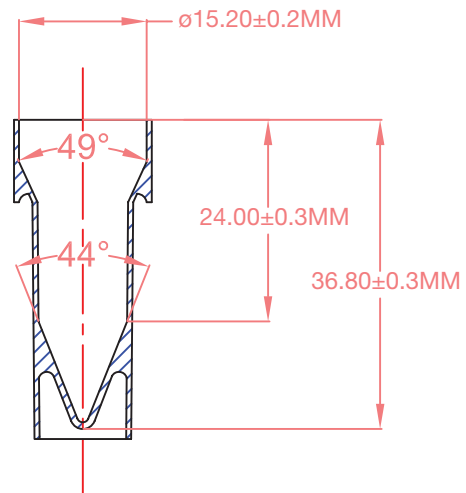
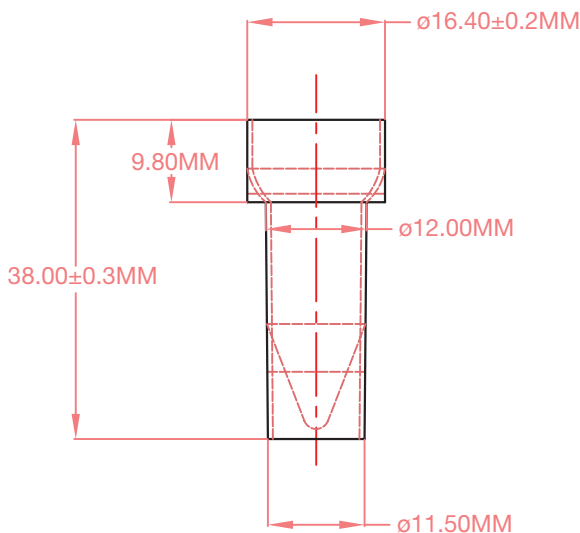
Brittleness temperature: 20°C

Maximum temperature: 90°C

Sterility: Non-sterile

### Products

Item#	Description	Unit
110913	3mL sample cup, PS	1000



Note: All instruments and names of manufacturers mentioned herein are the trademarks of their respective companies and are used for reference purposes only. Globe Scientific Inc. expressly disclaims any affiliation to them.